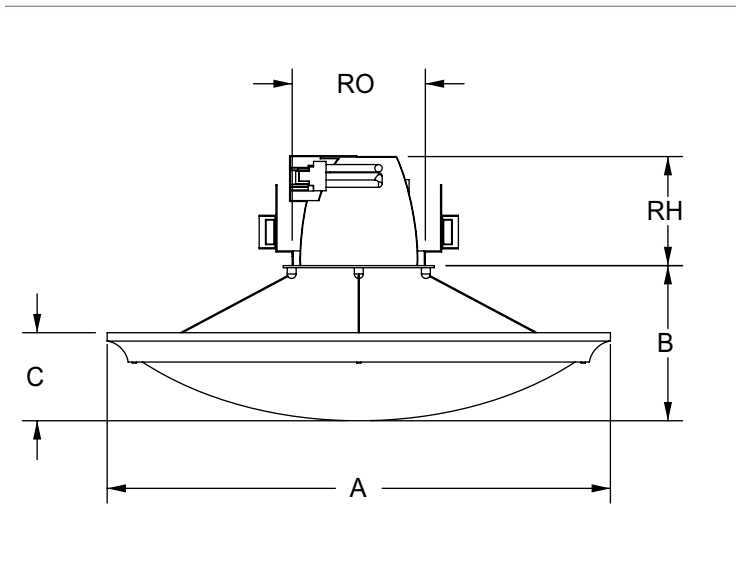


# PULASKI II SERIES

## CEILING FIXTURE C6584



### Fixture Number:

#### C6584-24

24" A x 8" B X 4.25" C  
RO- 8.5625"  
RH- 8.3125"

Ceiling Cutout- 9.25"

#### C6584-30

30" A x 9" B x 5.25" C  
RO- 11.5"  
RH- 9.75"

Ceiling Cutout- 12.125"

### Lamping:

#### C6584-24

**F** 2-26W TT  
**FF** 2-42W TT

#### C6584-30

**F** 2-57W TT  
**FF** 1-70W TT

### Voltage:

**1** 120v  
**2** 277v

### Lens Options:

**WA** White Acrylic  
**WS** White Alabaster Acrylic  
**FA** Beige Alabaster Acrylic  
**GR** Grey Alabaster Acrylic  
**CA** Custom Acrylic (see pg 398)  
**HPA** Hand Painted Acrylic

### Finish Options:

**AB** Antique Brass  
**PB** Polished Brass  
**BB** Brushed Brass  
**BA** Brushed Aluminum  
**SN** Satin Nickel  
**PC** Polished Chrome  
**PT** Painted (see pg 396)  
**CPF** Custom Painted Finish

### Options:

**REM** Remote Emergency Ballast  
**DM** Dimming Ballast  
**FUS** Fusing  
**SBA** Sandblasted Acrylic

### Notes:

1. Custom sizes and finishes available upon request.
2. All fluorescent fixtures available in 120v or 277v.
3. Incandescent 120v only.
4. Lamps not included.
5. For lamp or ballast specifications see pages 400-403 for technical information.
6. Camman reserves the right to make design changes without prior notice.

### Mounting Frame:

16-gauge galvanized steel mounting ring with factory installed spring friction clips. Accommodates ceilings up to 3/4" thick; accessories available for ceilings up to 2".

### Mounting Bracket:

MB1-25" Tru-Lock Grid Bar Hangers.  
MB2-52" C-Channel Bar Hangers.  
MB3-28" C-Channel Bar Hangers.  
MB4-27" Linear Bar Hangers

### Project:

Quantity:    Type:

### Modifications:

### Specification:

(Fixture Number)	(Lamping)	(Voltage)	(Lens)	(Finish)	(Options)