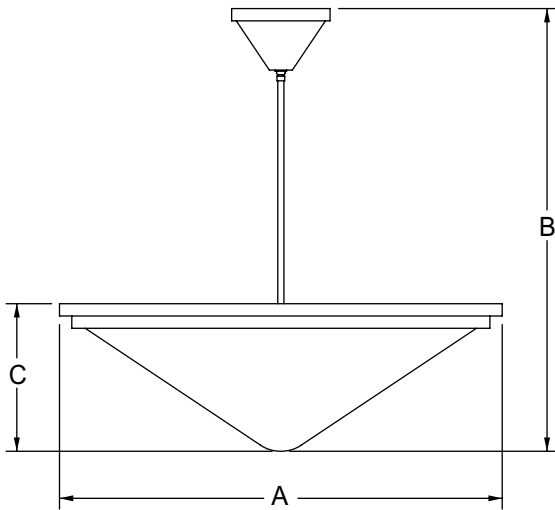


# BERKS SERIES

## PENDANT FIXTURE P2000



### Fixture Number:

#### P2000-24

24" A x 24" B x 9.5" C

#### P2000-30

30" A x 30" B x 10" C

#### P2000-36

36" A x 36" B x 11" C

#### P2000-42

42" A x 42" B x 12" C

### Lamping:

#### P2000-24

**I** 4-60W A19

**F** 4-26W QD

**FF** 6-26W QD

#### P2000-30

**I** 4-100W A19

**F** 6-26W QD

**FF** 8-26W QD

#### P2000-36

**I** 6-100W A19

**F** 6-26W QD

**FF** 8-39W BX

#### P2000-42

**I** 6-100W A19

**F** 8-26W QD

**FF** 8-40W BX

### Voltage:

**1** 120v

**2** 277v

### Lens Options:

**WA** White Acrylic

**WS** White Alabaster Acrylic

**FA** Beige Alabaster Acrylic

**GR** Grey Alabaster Acrylic

**CA** Custom Acrylic (see pg 398)

**HPA** Hand Painted Acrylic

### Finish Options:

**AB** Antique Brass

**PB** Polished Brass

**BB** Brushed Brass

**BA** Brushed Aluminum

**SN** Satin Nickel

**PC** Polished Chrome

**PT** Painted (see pg 396)

**CPF** Custom Painted Finish

### Options:

**IEM** Integral Emergency Ballast

**SMC** Swivel Canopy 45 Degree

**DM** Dimming Ballast

**SBC** Surface Mounted Canopy for Ballast

**OAH** Overall Height of Fixture in Inches

**AC** Aircraft Cable

**FUS** Fusing

**SBA** Sandblasted Acrylic

**DC** Dust Cover

### Notes:

**1.** Custom sizes and finishes available upon request.

**2.** All fluorescent fixtures available in 120v or 277v.

**3.** Incandescent 120v only.

**4.** Lamps not included.

**5.** For lamp or ballast specifications see pages 400-403 for technical information.

**6.** Camman reserves the right to make design changes without prior notice.

### Project:

Quantity:      Type:

### Modifications:

### Specification:

(Fixture Number)

(Lamping)

(Voltage)

(Lens)

(Finish)

(Options)