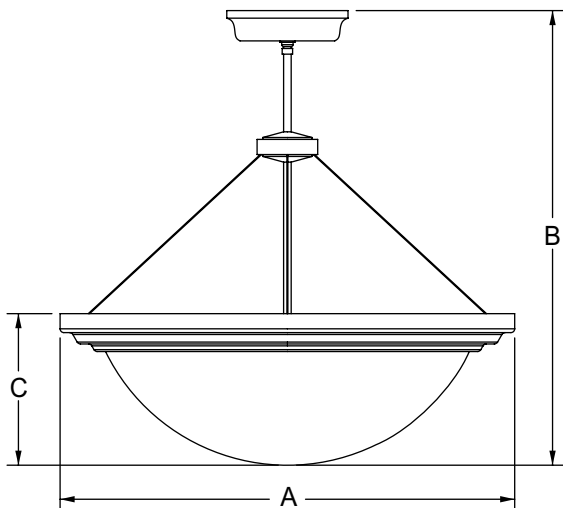


ARMSTRONG SERIES

PENDANT FIXTURE P3550



Fixture Number:

P3550-24
24" A x 24" B x 9.5" C

P3550-30
30" A x 30" B x 10" C

P3550-36
36" A x 36" B x 11" C

P3550-42
42" A x 42" B x 12" C

Lamping:

P3550-24
I 4-60W A19
F 4-26W QD
FF 6-26W QD

P3550-30
I 4-100W A19
F 6-26W QD
FF 8-26W QD

P3550-36
I 6-100W A19
F 6-26W QD
FF 8-39W BX

P3550-42
I 6-100W A19
F 8-26W QD
FF 8-40W BX

Voltage:

- 1** 120v
- 2** 277v

Lens Options:

- WA** White Acrylic
- WS** White Alabaster Acrylic
- FA** Beige Alabaster Acrylic
- GR** Grey Alabaster Acrylic
- CA** Custom Acrylic (see pg 398)
- HPA** Hand Painted Acrylic

Finish Options:

- AB** Antique Brass
- PB** Polished Brass
- BB** Brushed Brass
- BA** Brushed Aluminum
- SN** Satin Nickel
- PC** Polished Chrome
- PT** Painted (see pg 396)
- CPF** Custom Painted Finish

Options:

- IEM** Integral Emergency Ballast
- SMC** Swivel Canopy 45 Degree
- DM** Dimming Ballast
- SBC** Surface Mounted Canopy for Ballast
- OAH** Overall Height of Fixture in Inches
- QS** Quad Stem
- FUS** Fusing
- SBA** Sandblasted Acrylic
- DC** Dust Cover

Notes:

- 1.** Custom sizes and finishes available upon request.
- 2.** All fluorescent fixtures available in 120v or 277v.
- 3.** Incandescent 120v only.
- 4.** Lamps not included.
- 5.** For lamp or ballast specifications see pages 400-403 for technical information.
- 6.** Camman reserves the right to make design changes without prior notice.

Project:

Quantity: **Type:**

Modifications:

Specification:

(Fixture Number)	(Lamping)	(Voltage)	(Lens)	(Finish)	(Options)