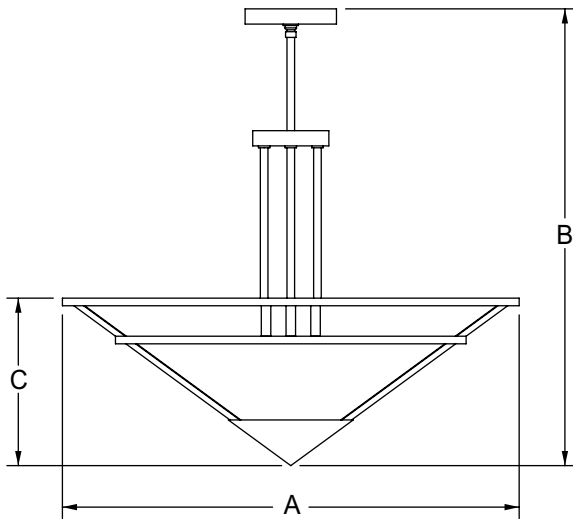


COLUMBUS SERIES

PENDANT FIXTURE P3660



Fixture Number:

P3660-24

24" A x 24" B x 9" C

P3660-30

30" A x 30" B x 11" C

P3660-36

36" A x 36" B x 13" C

P3660-42

42" A x 42" B x 15" C

Lamping:

P3660-24

I 4-60W A19
F 4-26W QD
FF 6-26W QD

P3660-30

I 4-100W A19
F 6-26W QD
FF 8-26W QD

P3660-36

I 6-100W A19
F 6-26W QD
FF 8-39W BX

P3660-42

I 6-100W A19
F 8-26W QD
FF 8-40W BX

Voltage:

1 120v
2 277v

Lens Options:

WA White Acrylic
WS White Alabaster Acrylic
FA Beige Alabaster Acrylic
GR Grey Alabaster Acrylic
CA Custom Acrylic (see pg 398)
HPA Hand Painted Acrylic

Finish Options:

AB Antique Brass
PB Polished Brass
BB Brushed Brass
BA Brushed Aluminum
SN Satin Nickel
PC Polished Chrome
PT Painted (see pg 396)
CPF Custom Painted Finish

Options:

IEM Integral Emergency Ballast
SMC Swivel Canopy 45 Degree
DM Dimming Ballast
SBC Surface Mounted Canopy for Ballast
OAH Overall Height of Fixture in Inches
FUS Fusing
SBA Sandblasted Acrylic
DC Dust Cover

Notes:

1. Custom sizes and finishes available upon request.
2. All fluorescent fixtures available in 120v or 277v.
3. Incandescent 120v only.
4. Lamps not included.
5. For lamp or ballast specifications see pages 400-403 for technical information.
6. Camman reserves the right to make design changes without prior notice.

Project:

Quantity: Type:

Modifications:

Specification:

(Fixture Number)

(Lamping)

(Voltage)

(Lens)

(Finish)

(Options)